

## DETAILS

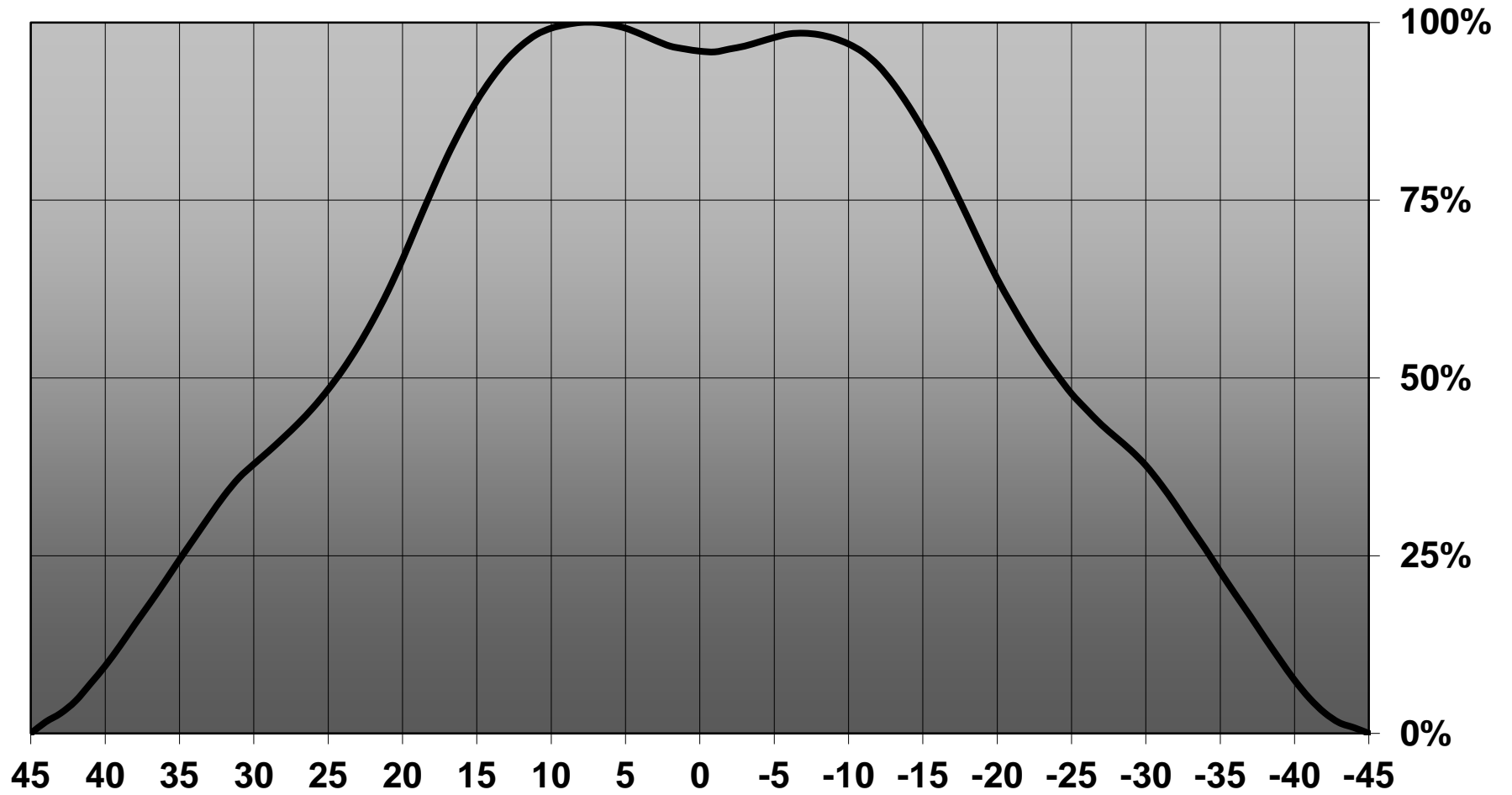
<b>Product Number</b>	CA10931_BOOM-W
<b>Family</b>	Boom
<b>Type</b>	RefAssy
<b>Color</b>	metal
<b>Diameter</b>	22,2 mm
<b>Height</b>	14,34 mm
<b>Style</b>	hexag
<b>Optic Material</b>	
<b>Holder Material</b>	
<b>Fastening</b>	glue, tape
<b>Status</b>	production ready
<b>ROHS Compliant</b>	Yes
<b>Date Updated</b>	11/11/2016

## OPTICAL PROPERTIES

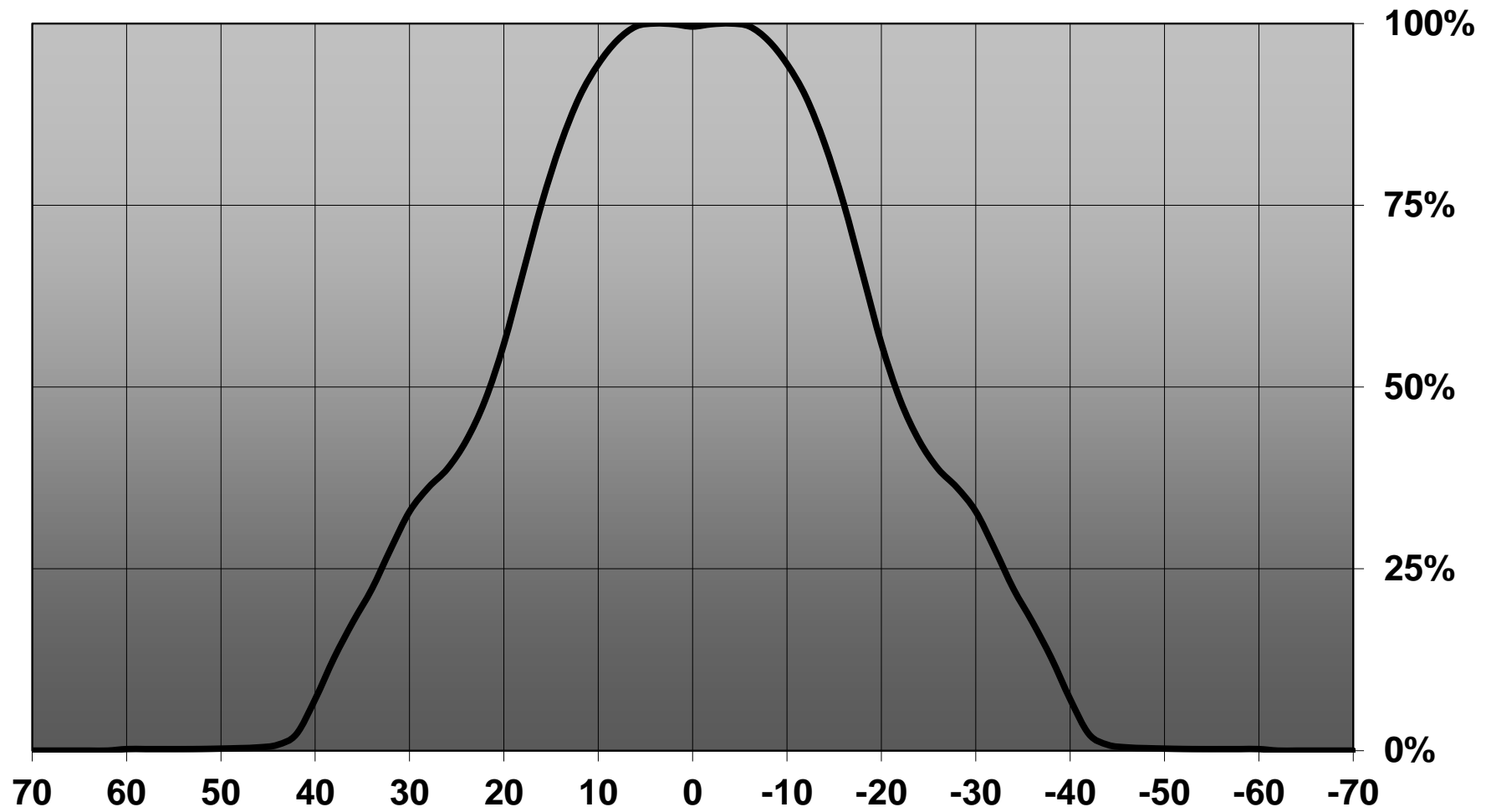
LED	Viewing	Light	Effi-		Connector
	Angle	Beam	ciency	cd/lm	
MHB-A	49 deg	Wide	84 %	1.270	-
LUXEON M/MX	43 deg	Wide	84 %	1.250	-
LUXEON MZ	33 deg	Wide	82 %	1.900	-
NFMW48xA	38 deg	Wide	84 %	1.600	-
Duris S10	41 deg	Wide	80 %	1.500	-
Duris P10	sim: 40	Wide	sim: 86 %	sim: 1.550	-
P7	70 deg	Wide	-	0.740	-



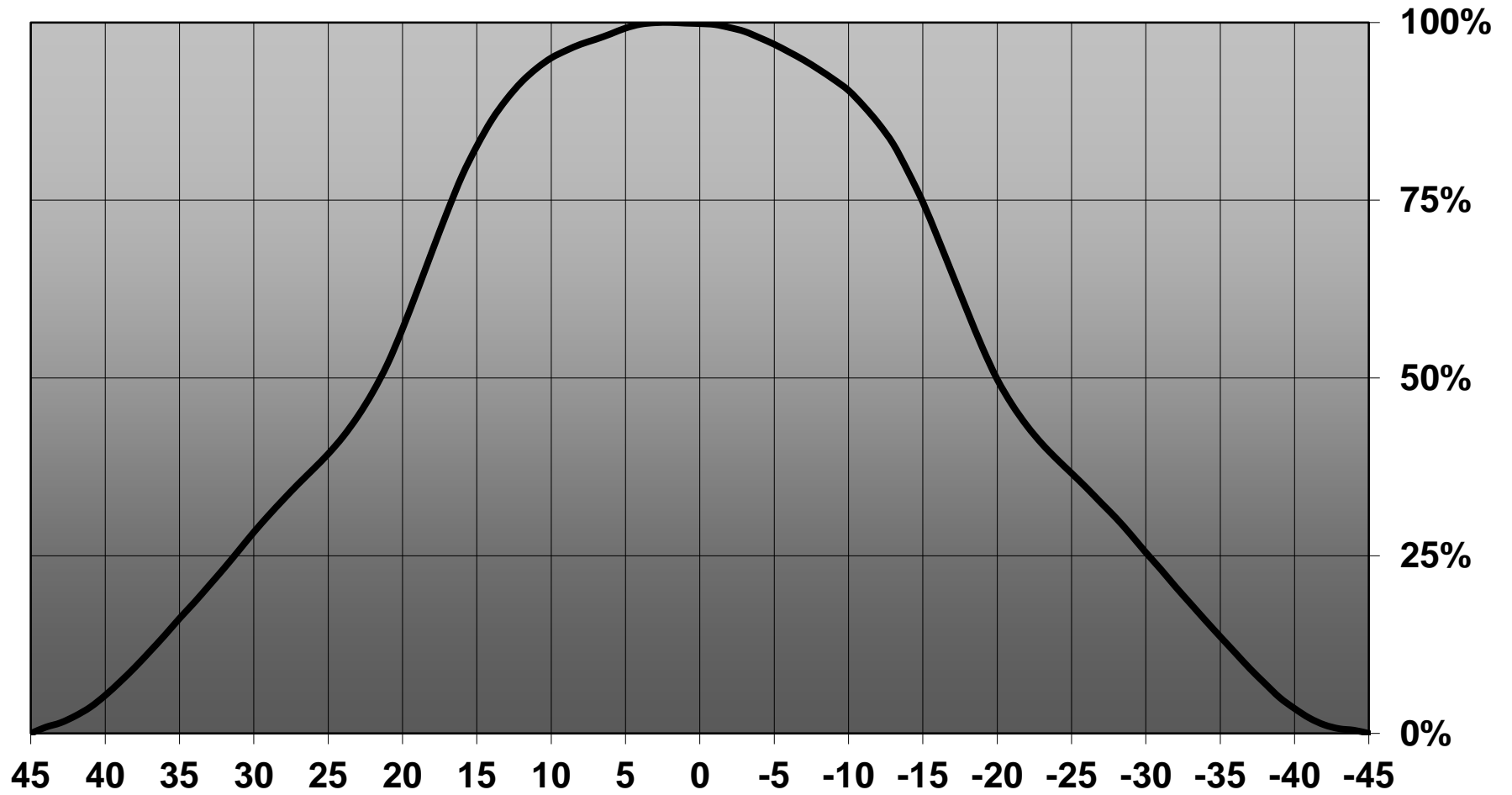
**Relative intensity of CA10931\_BOOM-W \_(MH-B)**



Relative intensity of CA10931\_BOOM-W\_(LUXEON-M)



Relative intensity of CA10931\_BOOM-W\_(Duris\_S10)

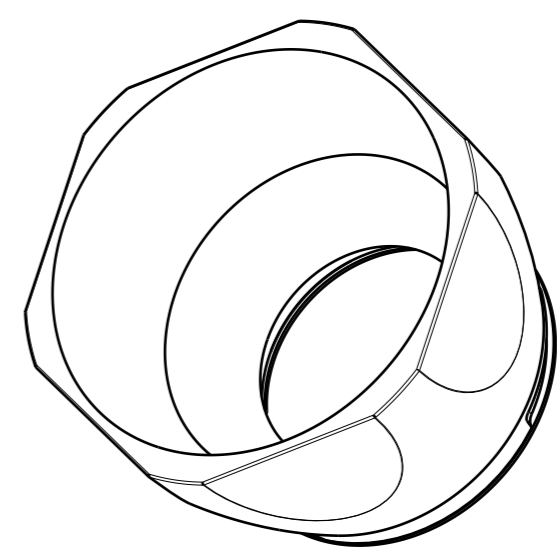
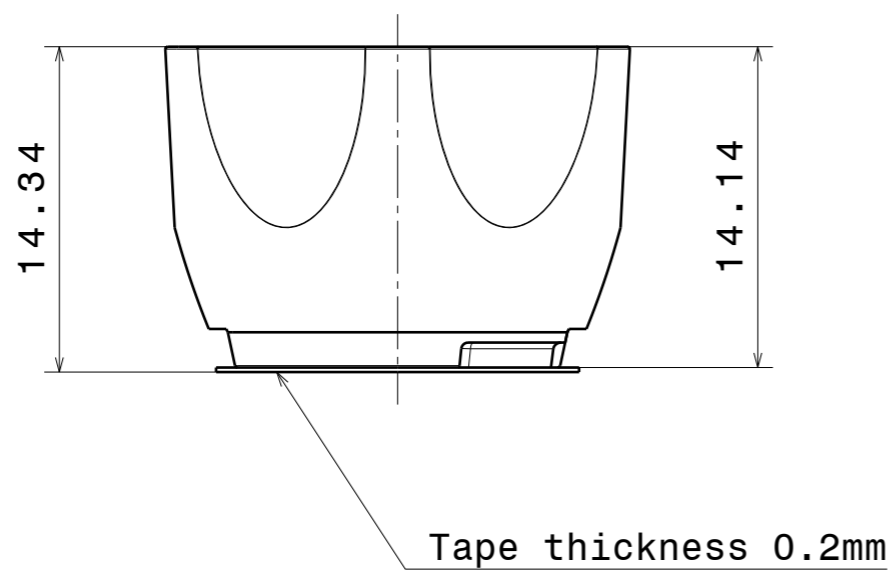


H G F E D C B A

4

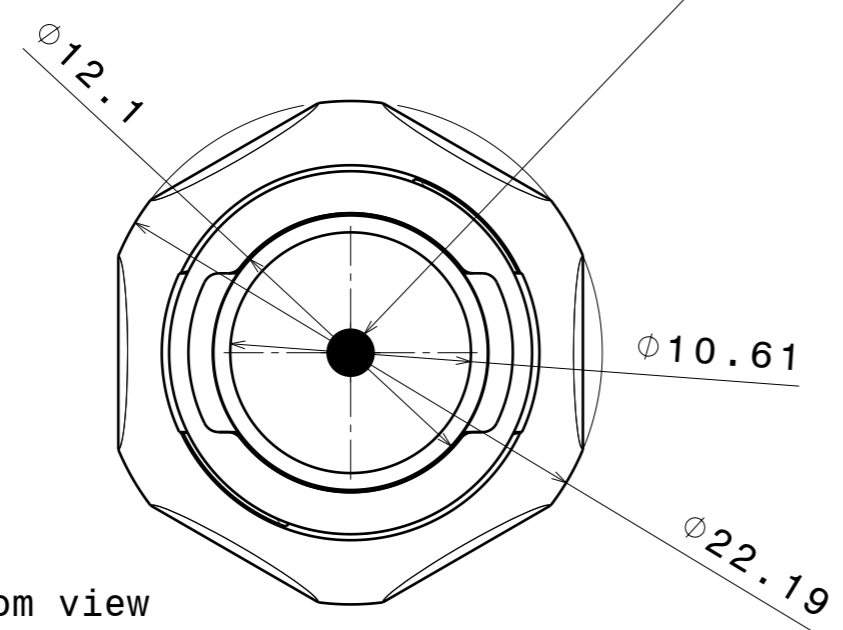
4

Front view



Isometric view

LED position



Bottom view

INDEX	PART NO	MATERIAL	COLOUR
1	Tape		Black
2	Reflector	PC	Metal

Tolerances if not otherwise shown  
 According to DIN ISO 2768-1  
 Linear measures: class C  
 According to DIN ISO 2768-2  
 Form and position: class L

**LEDiL** LediL Oy  
 Salorankatu 10  
 FIN 24240 SALO  
 Finland

THIRD ANGLE PROJECTION:

DRAWING TITLE  
**CA10931\_BOOM-W**

This drawing is the property of LEDiL Oy. It may not be reproduced, copied or communicated without a written agreement with LEDiL Oy.

SIZE	PART NUMBER
<b>A3</b>	<b>CA10931</b>

SCALE	1:1	WEIGHT	-	SHEET	1/1
-------	-----	--------	---	-------	-----

3

3

2

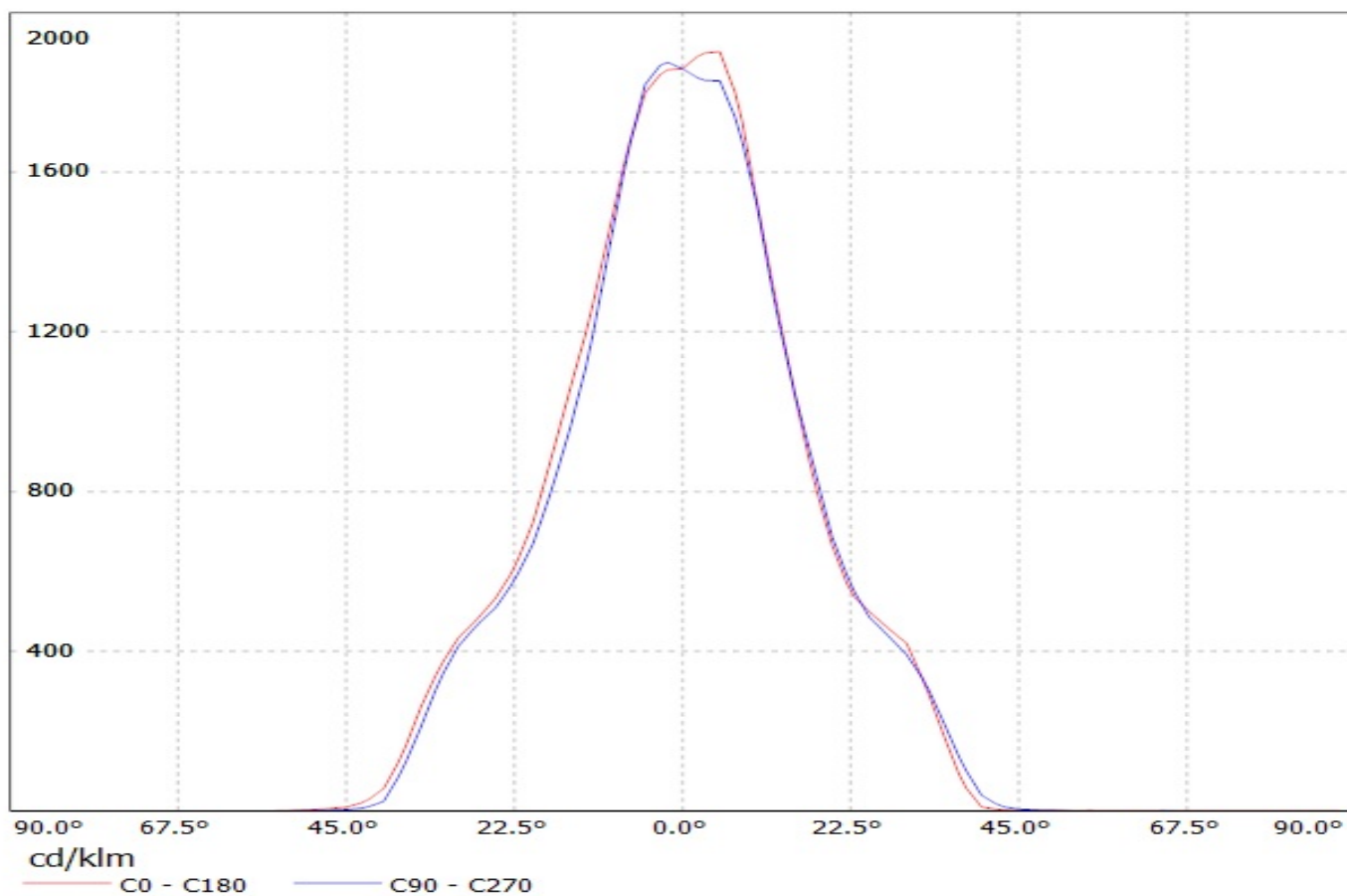
2

1

1

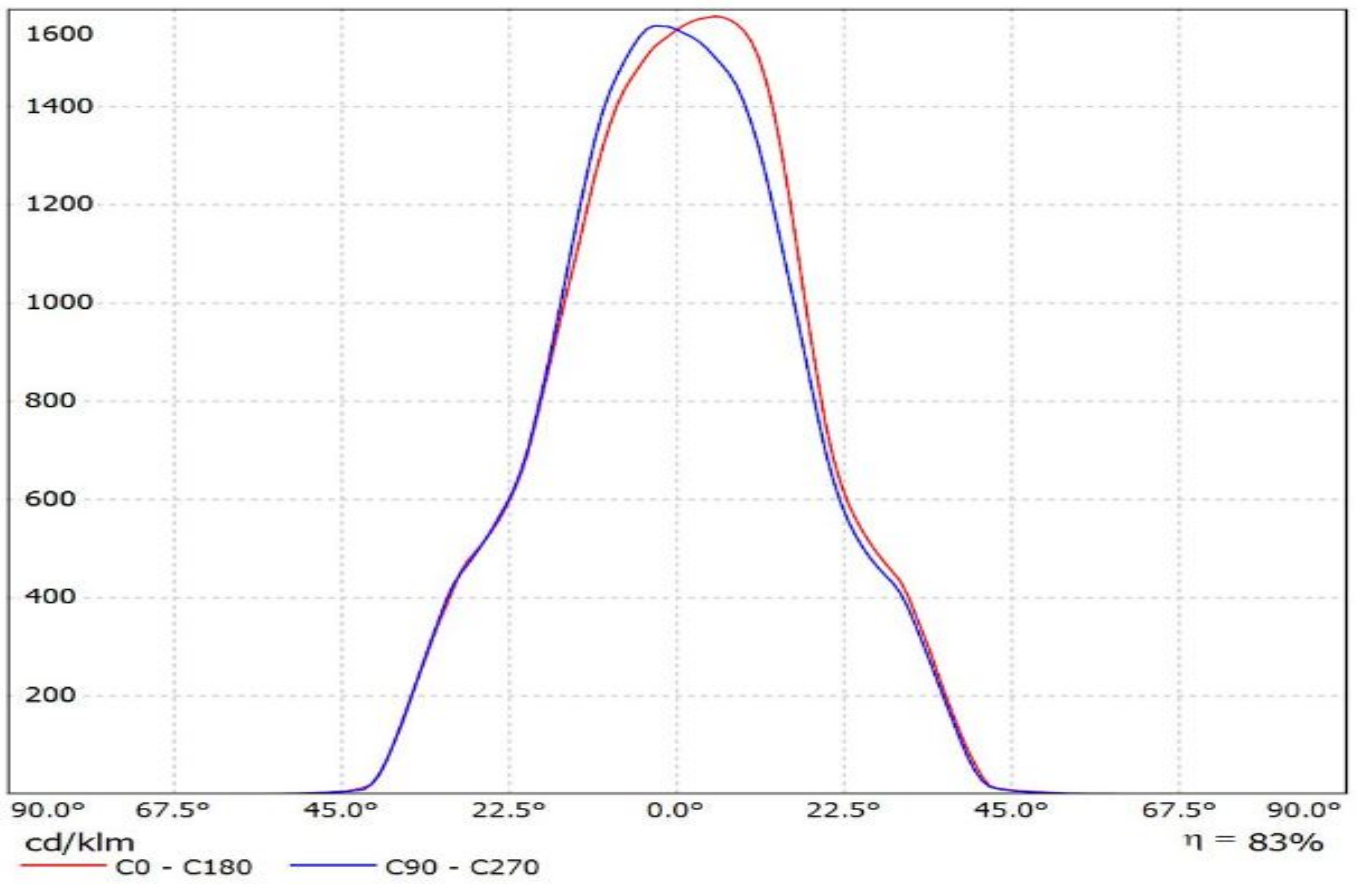
H G F E D C B A

Luminaire: LEDil Oy CA10931\_BOOM-W\_(Luxeon\_MZ) Efficiency=82%  
Lamps: 1 x Philips Lumileds Luxeon MZ (389lm @ 250mA) CCT=3800K P=2.8W I=250mA

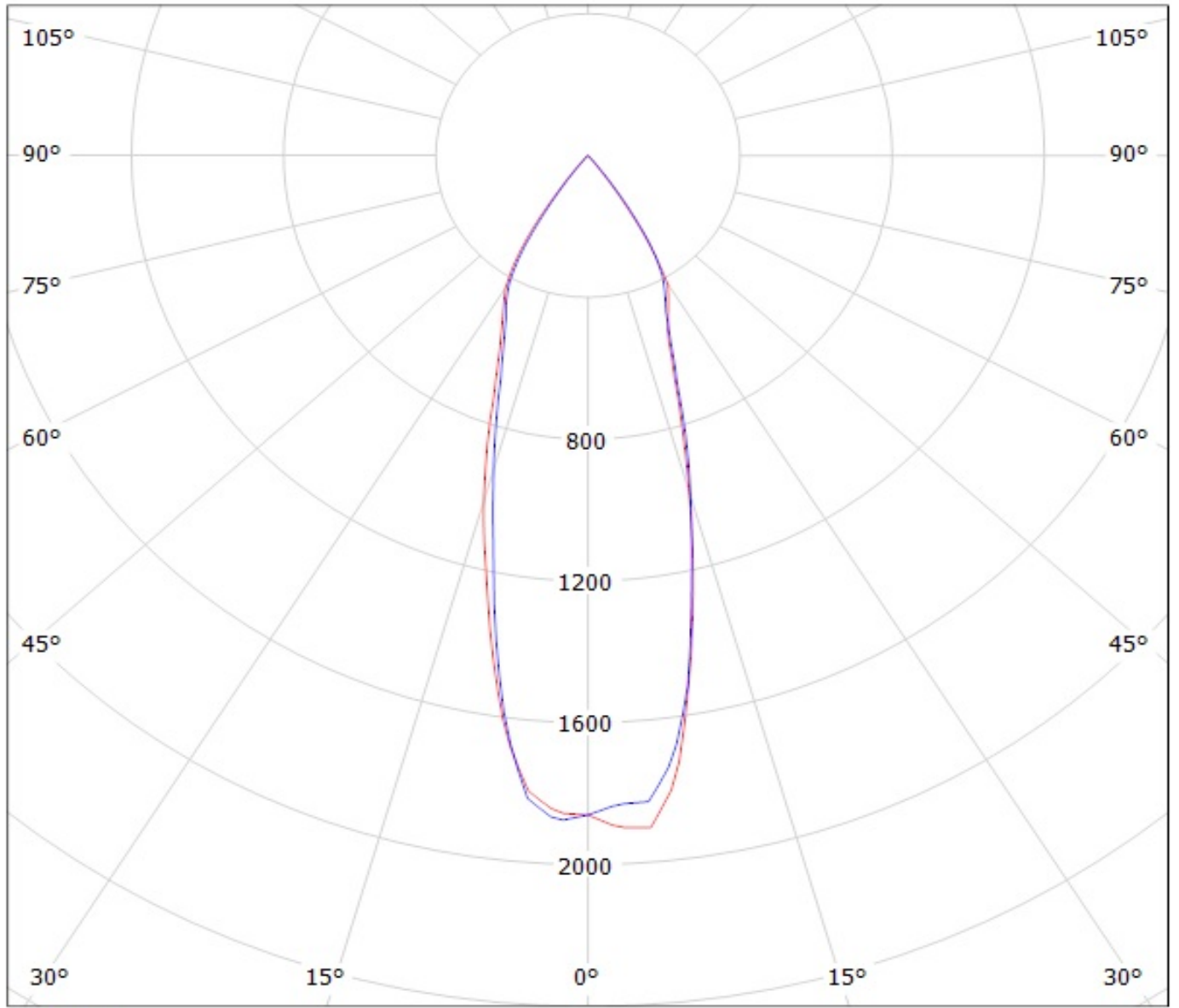


Luminaire: LEDiL Oy CA10931\_BOOM-W\_(NFMX48xAR\_14chip)

Lamps: 1 x Nichia\_NFMX48xAR\_14chip\_(NFMW488AR)\_561.275lm@100mA\_P=4.11057W\_I=0.100A



Luminaire: LEDil Oy CA10931\_BOOM-W\_(Luxeon\_MZ) Efficiency=82%  
Lamps: 1 x Philips Lumileds Luxeon MZ (389lm @ 250mA) CCT=3800K P=2.8W I=250mA



cd/klm

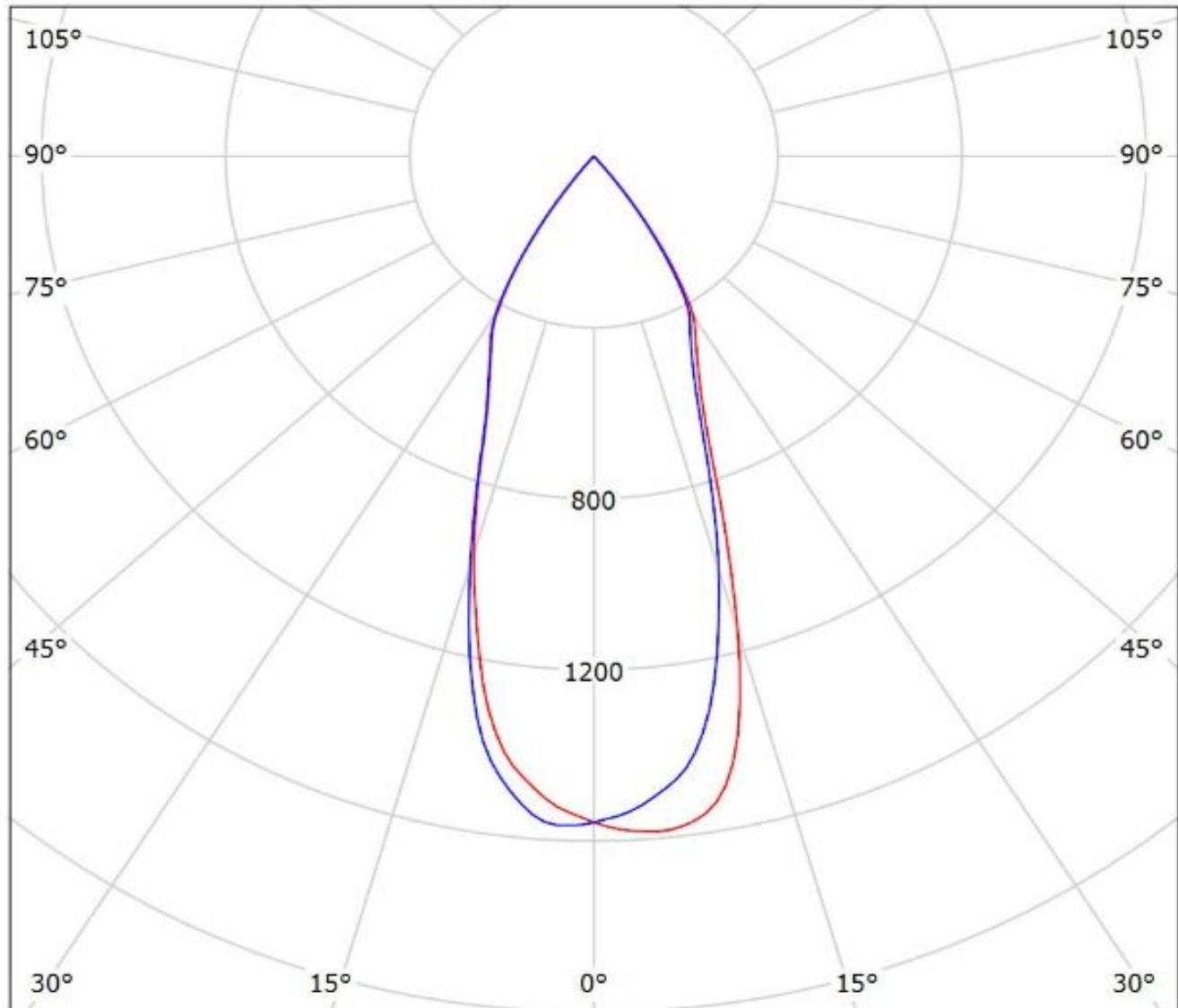
— C0 - C180

— C90 - C270



Luminaire: LEDiL Oy CA10931\_BOOM-W\_(NFMX48xAR\_14chip)

Lamps: 1 x Nichia\_NFMX48xAR\_14chip\_(NFMW488AR)\_561.275lm@100mA\_P=4.11057W\_I=0.100A



$\eta = 83\%$

cd/klm  
— C0 - C180    — C90 - C270

**NOTE: The typical divergence will be changed by different color, chip size and chip position tolerance. The typical total divergence is the full angle measured where the luminous intensity is half of the peak value.**