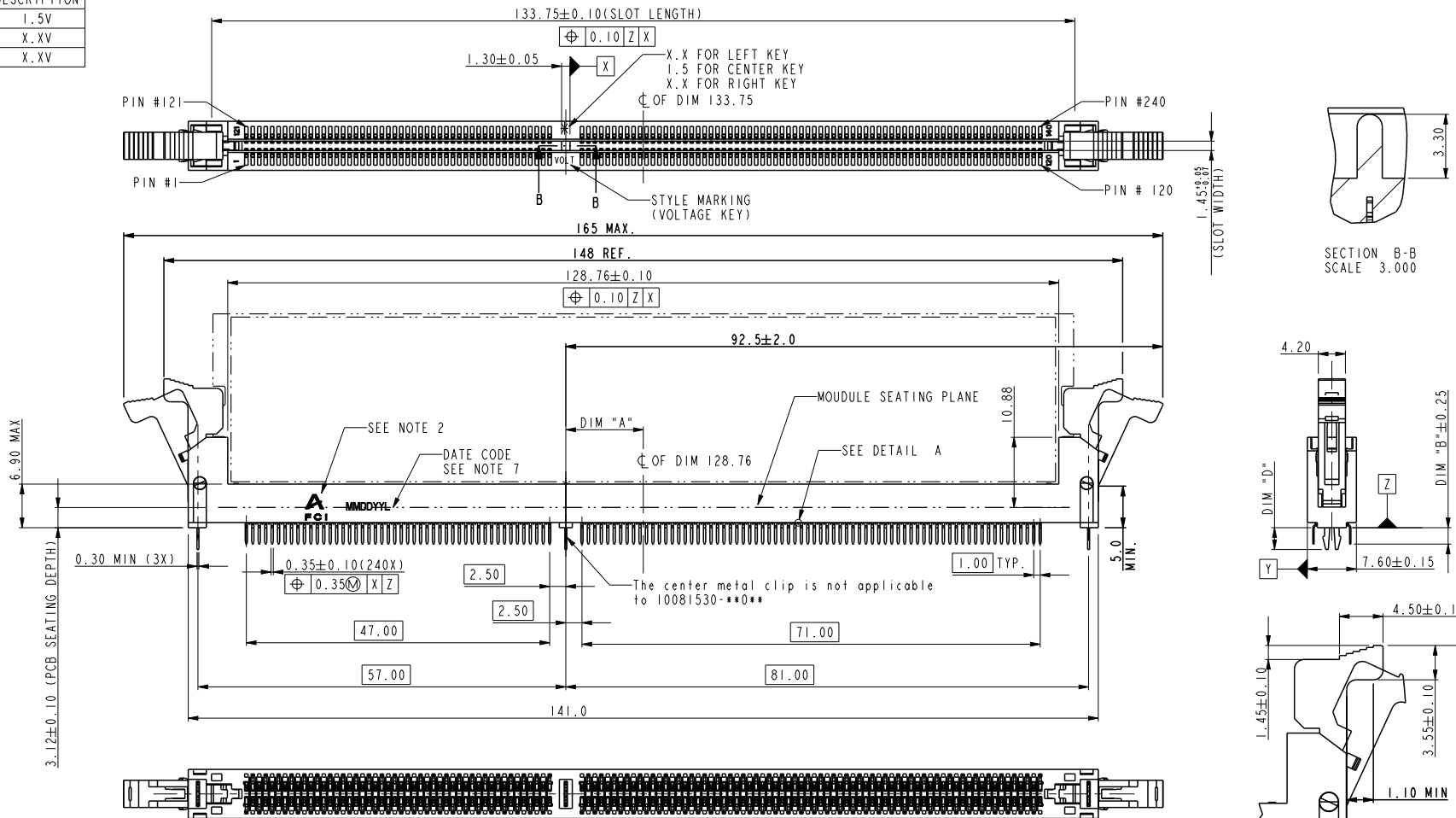


PART NO.	DIM "A"	DESCRIPTION
10081530-1****	12.00	1.5V
10081530-2****	11.00	X.XV
10081530-3****	13.00	X.XV



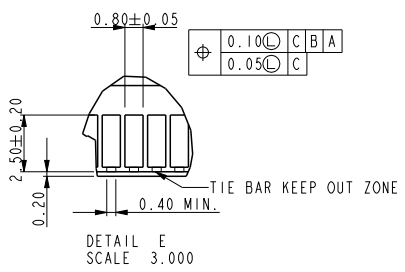
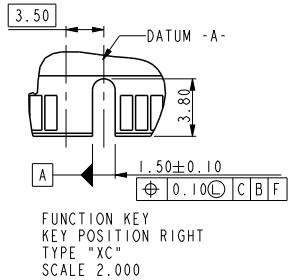
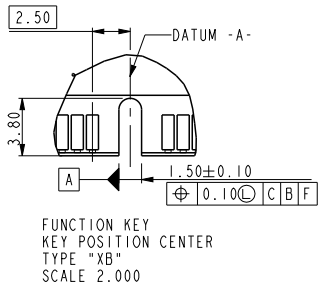
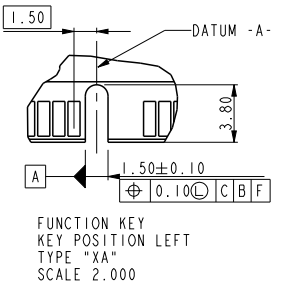
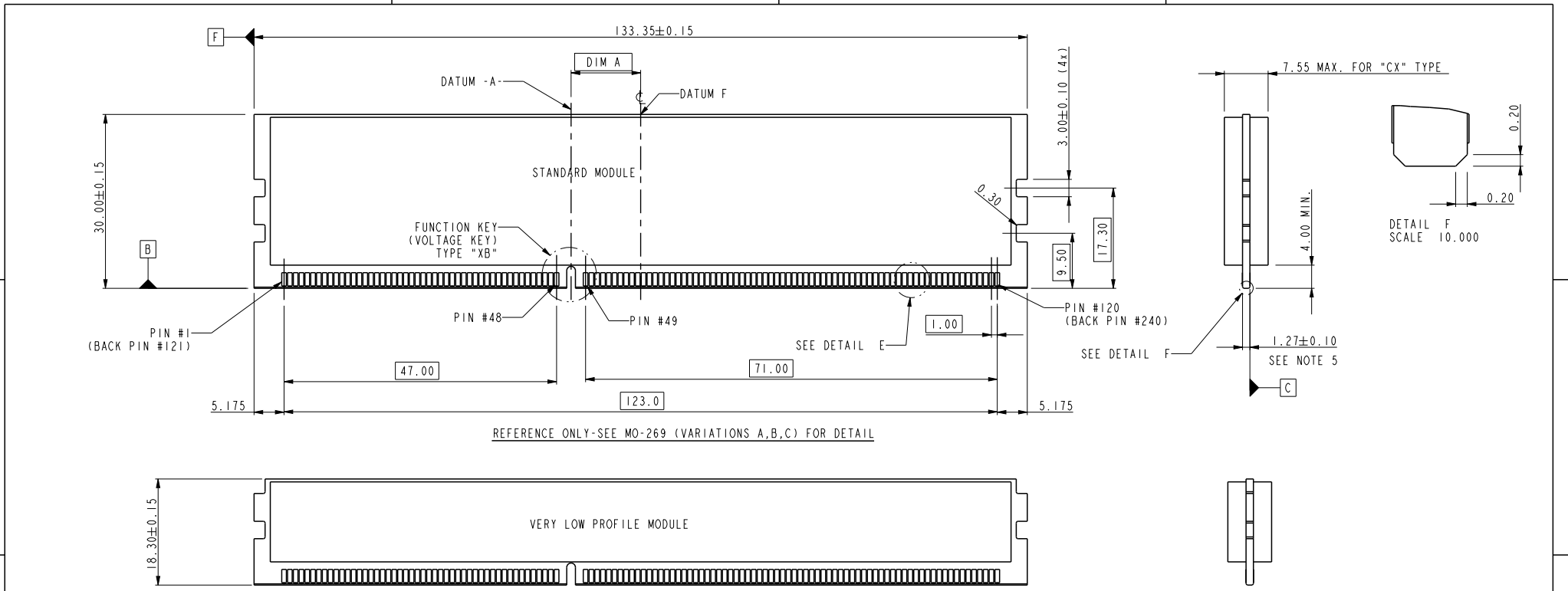
Copyright FCI.

spec ref	*	dr	Rick Bian	2010/07/03	projection	mm	size	A4	scale	0.500
tolerance std	TOLERANCES UNLESS OTHERWISE SPECIFIED	eng	Terris Liu	2014/01/17			ecn no	ELX-DG-16755-1		
		chr	-	-				rel level	Released	
surface	✓	appr	Pei-Ming Zheng	2014/01/25	product family	-	rev	10081530		
	linear	0.X	±0.38		title	DDR3 R-DIMM CONNECTOR	dwg no	10081530	rev	K
		0.XX	±0.25							
		0.XXX	±0.13							
	angular	0°	±2°	www.fci.com	cat. no.	-	Product - Customer Drw	sheet 1 of 4		

ProjE File - REV C - 2009-06-09



Copyright FCI.



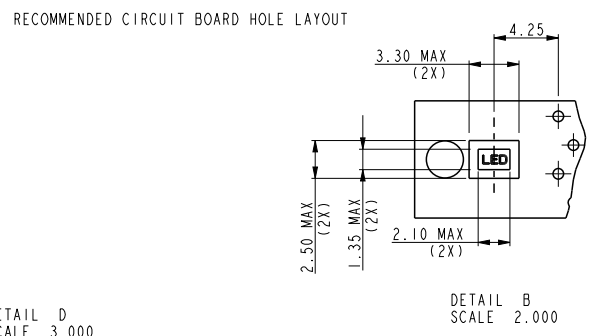
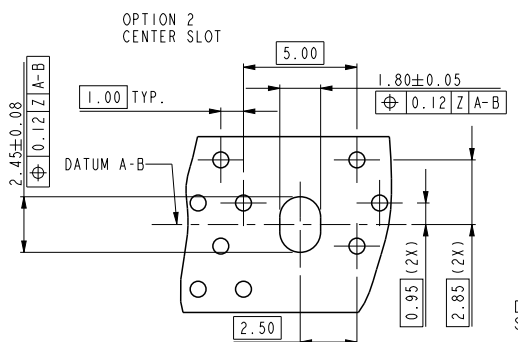
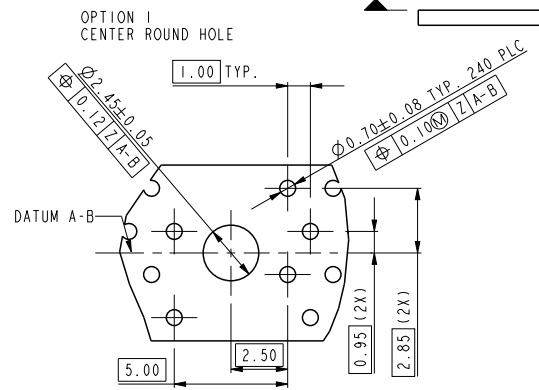
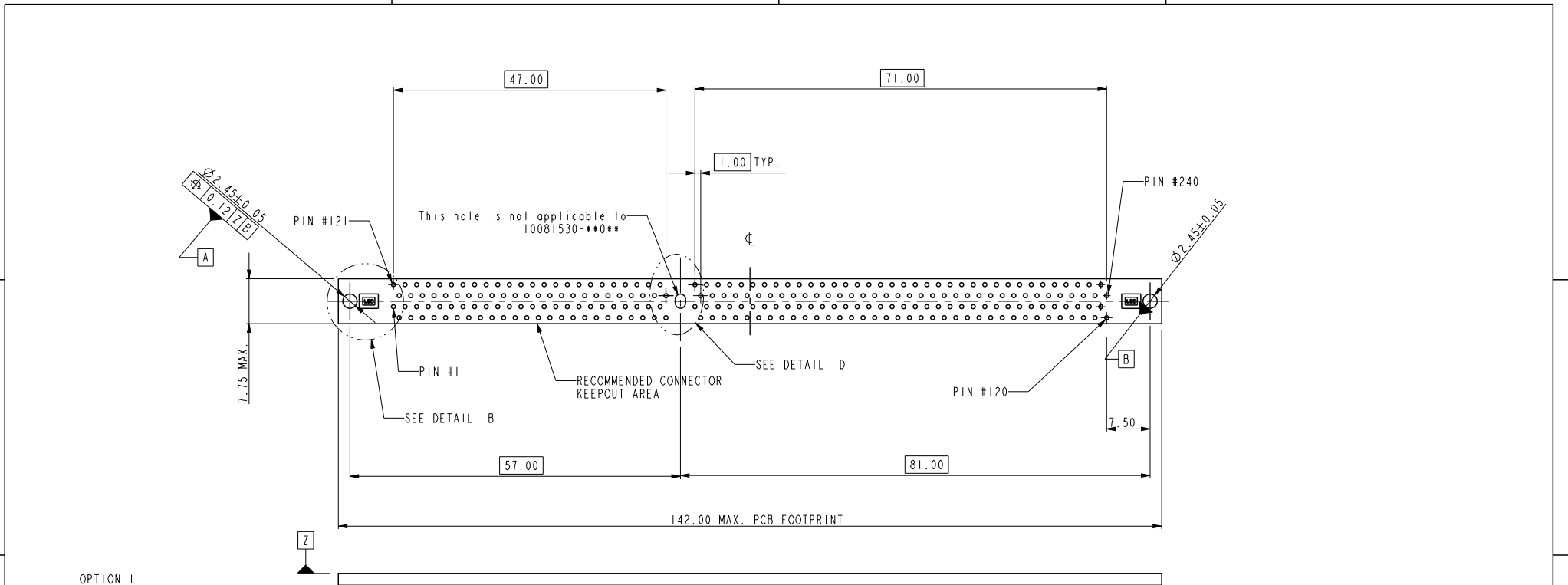
TYPE "XA"	X.X VOLTAGE
TYPE "XC"	X.X VOLTAGE
TYPE "XB"	1.5 VOLTAGE
SUB KEY POS #1	DESCRIPTION

spec ref	*	dr	Rick Bian	2010/07/03	projection	mm	size	A4	scale	0.500											
tolerance std	TOLERANCES UNLESS OTHERWISE SPECIFIED	eng	Terris Liu	2014/01/17			ecn no	ELX-DG-16755-1													
surface	<table border="1"> <tr> <td>linear</td> <td>0.X</td> <td>±0.38</td> </tr> <tr> <td></td> <td>0.XX</td> <td>±0.25</td> </tr> <tr> <td></td> <td>0.XXX</td> <td>±0.13</td> </tr> <tr> <td>angular</td> <td>0°</td> <td>±2°</td> </tr> </table>	linear	0.X	±0.38				0.XX	±0.25		0.XXX	±0.13	angular	0°	±2°	chr	-	product family	-	rel level	Released
linear	0.X	±0.38																			
	0.XX	±0.25																			
	0.XXX	±0.13																			
angular	0°	±2°																			
		appr	Pei-Ming Zheng	2014/01/25	DDR3 R-DIMM CONNECTOR METAL CLIP TYPE		dwg no	10081530		rev	K										
www.fci.com		cat. no.		Product - Customer Drw			sheet 2 of 4														

ProjE File - REV C - 2009-06-09



Copyright FCI.



spec ref	*	dr	Rick Bian	2010/07/03	projection	mm	size	A4	scale	0.500
tolerance std	TOLERANCES UNLESS OTHERWISE SPECIFIED	eng	Terris Liu	2014/01/17			ecn no	ELX-DG-16755-1		
surface	✓	chr	-	-				rel level	Released	
	linear	0.X	±0.38		title	DDR3 R-DIMM CONNECTOR	dwg no	10081530		rev
		0.XX	±0.25							
		0.XXX	±0.13							
	angular	0°	±2°	www.fci.com	cat. no.	-	Product - Customer Drw		sheet 3 of 4	

ProjE File - REV C - 2009-06-09

A

B

C

D

A

B

C

D

10081530 - □ □ □ □

STYLE : MECHANICAL KEYING

- 1 : 1.5 VOLT. W/ CENTER KEY "XB"
- 2 : X.X VOLT. W/ LEFT KEY "XA"
- 3 : X.X VOLT. W/ RIGHT KEY "XC"

CODE	METAL CLIP DIM "D"	TAIL LENGTH DIM "B"	METAL CLIP QTY AND LOCATION
11 Except -111*8ELF -111*8SLF	3.05	2.67	3 (BOTH ENDS AND CENTER)
22	3.56	3.18	
33	3.56	4.00	
10	3.05	2.67	2 (BOTH ENDS)
20	3.56	3.18	
30	3.56	4.00	
-111*8ELF -111*8SLF	3.45	2.67	3 (BOTH ENDS AND CENTER)

PLATING

CODE	CONTACT	SOLDERTAIL	UNDERPLATE	NOTE
2	15u" (0.38um) MIN. GOLD	100u" (2.54um) MIN. TIN/LEAD	50u" (1.27um) MIN. NICKEL OVERALL	
3	30u" (0.76um) MIN. GOLD			
4	GOLD FLASH			
5LF	20u" (0.508um) MIN. GOLD	100u" (2.54um) MIN. 100% TIN	90u" (2.29um)MIN NICKEL OVERALL	CONTACT NON LUBRICATED
7LF	15u" (0.38um) MIN. GOLD			
8LF	30u" (0.76um) MIN. GOLD			
9LF	3u" (0.07um) MIN. GOLD			
8SLF	30u" (0.76um) MIN. GOLD			
8ELF	30u" (0.76um) MIN. GXT			CONTACT PAO LUBRICATED
7NLF	15u" (0.38um) MIN. GOLD		90u" (2.29um)MIN NICKEL OVERALL	CONTACT NON LUBRICATED
8NLF	30u" (0.76um) MIN. GOLD			
9NLF	3u" (0.07um) MIN. GOLD			
7GLF	15u" (0.38um) MIN. GXT		50u" (1.27um) MIN. NICKEL OVERALL	CONTACT NON LUBRICATED
8GLF	30u" (0.76um) MIN. GXT			

NOTES:

- MATERIAL:
HOUSING: HIGH PERFORMANCE RESINS, GLASS FILLED UL94V-0 RATED.
EJECTOR: HIGH PERFORMANCE RESINS, GLASS FILLED UL94V-0 RATED.
TERMINAL: COPPER ALLOY.
METAL CLIP: COPPER ALLOY.
- FCI LOGO TO BE APPROXIMATELY LOCATED AS SHOWN ON PRINT.
- PRODUCT SPECIFICATION: GS-12-486.
- PACKAGING SPECIFICATION: GS-14-899.
- CARD THICKNESS APPLIES ACROSS TABS AND INCLUDES PLATING AND/OR METALIZATION.
- LEADING EDGE OF CONTACT PADS SPECIFIED BY THE KEEP OUT ZONE SHALL BE FREE OF BURRS AND EXTERNAL TIE BARS.
FOR OPTIMUM PERFORMANCE, THE TIE BAR IS TO BE ON AN INTERNAL LAYER SO THAT THE REMNANT CANNOT CAUSE CONTACT DAMAGE.
- DATE CODE: DATE CODE MMDDYY IS ASSEMBLY DATE, L IS PRODUCTION LINE("D" DENOTES FCI DONGGUAN).
- SOCKET IS COMPLIANT TO JEDEC SO-007 AND ACCEPTS JEDEC MODULE MO-269, VARIATIONS AA THRU FC.
- THIS PRODUCT MEETS EUROPEAN UNION DIRECTIVES AND OTHER COUNTRY REGULATIONS AS DESCRIBED IN GS-22-008.
- THE HOUSING WILL WITH STAND EXPOSURE TO 260°C PEAK TEMPERATURE FOR 10 SECONDS IN A WAVE SOLDER APPLICATION.
- THE CLEAR LATCH CAN WITHSTAND MAX 174°C EXPOSURE TEMPERATURE.

COLOR OF HOUSING AND EJECTOR

- 0 : BLACK HOUSING + IVORY EJECTOR
- 1 : BLUE HOUSING + IVORY EJECTOR
- 2 : BLACK HOUSING + BLACK EJECTOR
- 3 : BLACK HOUSING + CLEAR EJECTOR
- 4 : BLUE HOUSING + CLEAR EJECTOR
- 5 : IVORY HOUSING + CLEAR EJECTOR
- 6 : BLACK HOUSING + BLUE(2945C) EJECTOR
- 7 : IVORY HOUSING + IVORY EJECTOR
- 8 : BLACK HOUSING + GREEN(375C) EJECTOR
- 9 : IVORY HOUSING + BLACK EJECTOR
- A : GREEN HOUSING + IVORY EJECTOR



Copyright FCI.

spec ref	*	dr	Rick Bian	2010/07/03	projection	mm	size	A4	scale	0.500		
tolerance std	TOLERANCES UNLESS OTHERWISE SPECIFIED	eng	Terris Liu	2014/01/17			ecn no	ELX-DG-16755-1				
		chr	-	-				rel level	Released			
surface		linear	appr	Pei-Ming Zheng	2014/01/25	product family	-	rev	10081530			
	angular							www.fci.com	cat. no.	-	Product - Customer Drw	sheet 4 of 4